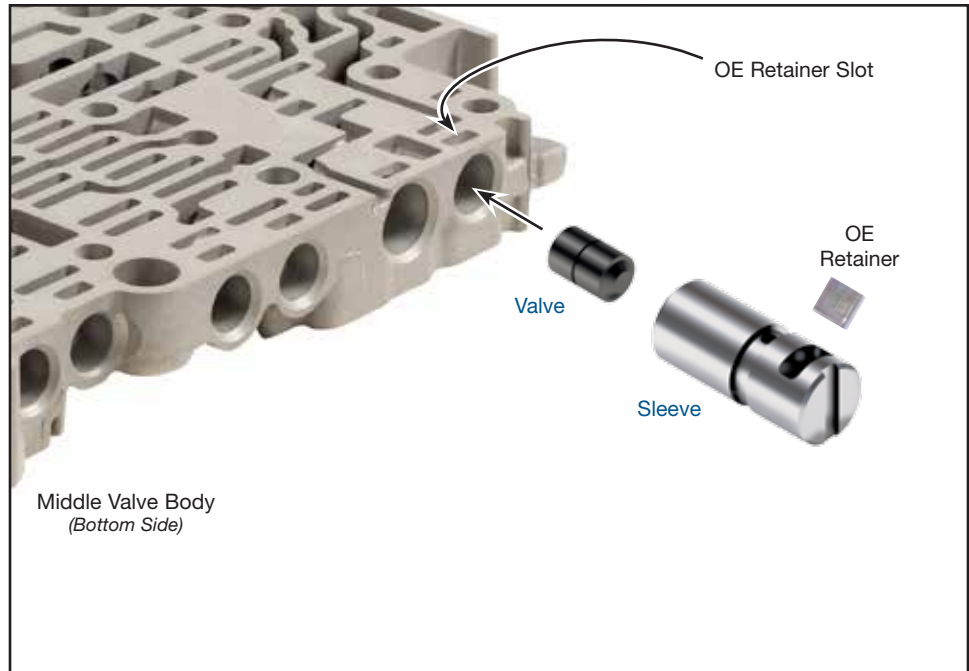


B1 Apply Boost Valve Kit

Part No.
47740-19K

- Valve
- Sleeve

Toyota/Lexus U660E, U660F



1. Disassembly

- Remove and discard the worn OE B1 apply boost valve and sleeve.
- Save OE retainer for reuse.

2. Installation & Assembly

- Install the Sonnax B1 apply boost valve and sleeve as shown.
- Replace the OE retainer to secure.

3. Final Testing

A vacuum test at the port indicated holds 18 in-Hg or more.

