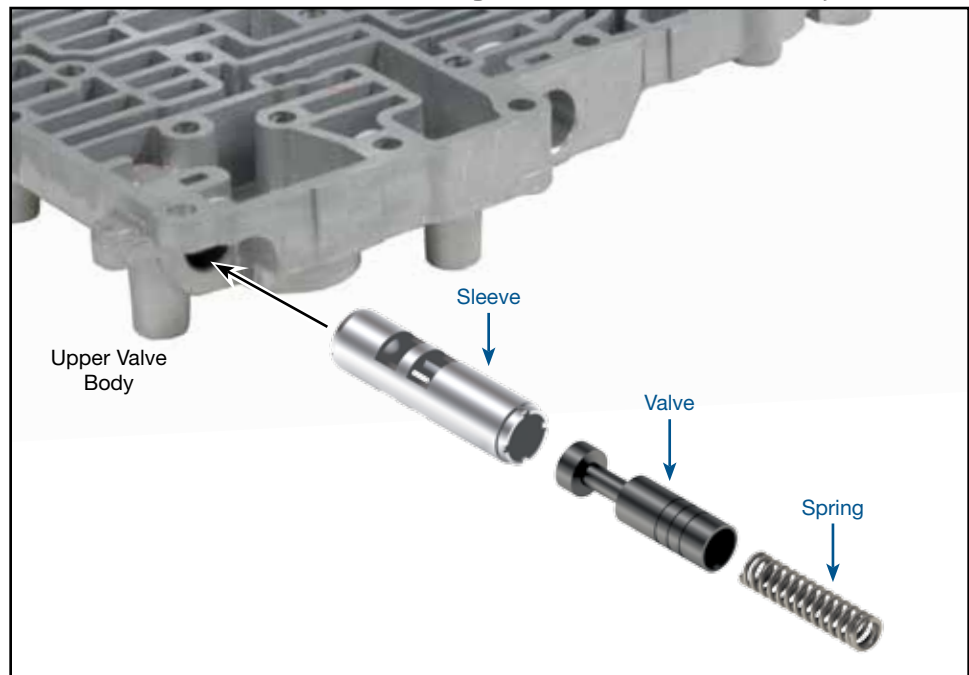


TCC Regulator Valve Kit

Part No.
84741-07K

- Sleeve
- Valve
- Spring

Hyundai/Kia A4CF1, A4CF2



1. Disassembly

- Remove OE bore lineup and discard TCC regulator valve and spring.
- Keep the OE retaining clip and end plug for reuse.

2. Installation

- Install the Sonnax sleeve and valve into the bore with the 4-grooved and undercut end of the sleeve and valve spring pocket facing outboard as shown.
- Rotate the sleeve so that the circuit ports are facing upward, toward the separator plate.
- Install the Sonnax spring
- Reinstall the OE end plug and retaining pin.

3. Final Testing

A vacuum test at the port indicated holds 18 in-Hg or more.

