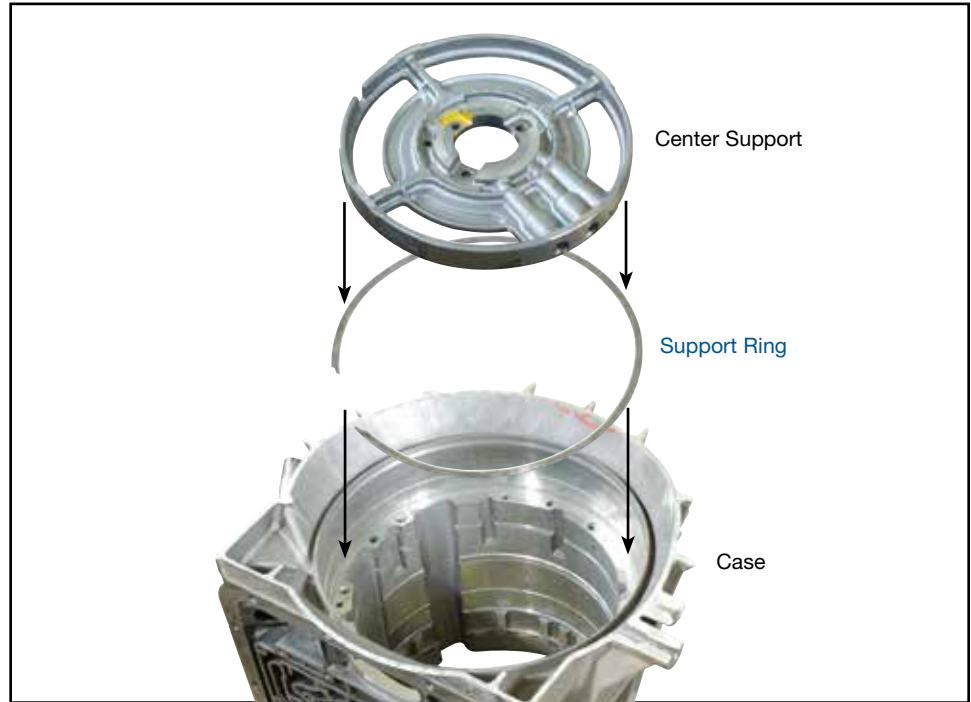


**Ford 4R100, E40D**

**Center Support Ring**

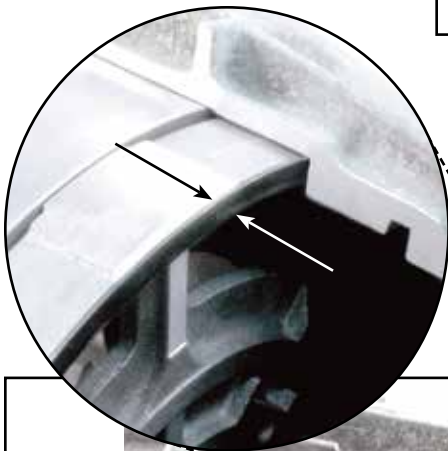
**Part No.**

**36743-02**

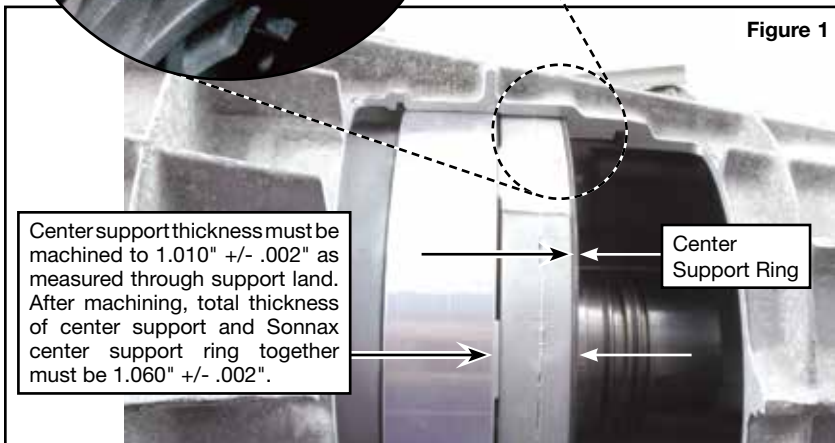


**NOTE:** For proper fitment, center support must be machined to a thickness of 1.010" +/- .002" (include support land in measurement). After machining, total thickness of center support and Sonnax center support ring together must be 1.060" +/- .002".

1. After determining proper amount of material to remove, machine center support to correct thickness. Remove material from support lands on rear of center support.
2. Install Sonnax center support ring into the case by seating it against the front face of the intermediate clutch lugs where the center support normally sits.
3. Install center support into case, seating it on top of the support ring.



**Figure 1**



**Figure 2**

