

**Jatco/Nissan JR710E, JR711E, JR712E,
RE5R05A, RE7R01A**

**TCC Control Valve/
Low Brake Switch
Boost Valve Kit**

Part No.

63741-05K

- Valve .239" Dia.
- Sleeve

NOTE: Replaces TCC control valve and sleeve in RE5R05A 1st and 2nd design valve bodies (**Figure 1**).

Replaces low brake switch boost valve and sleeve in RE7R01A, JR710E, JR711E and JR712E valve bodies.

Also fits TCC control bore in Hyundai/Kia A5SR1/2 and Subaru 5EAT.

CAUTION: The RE5R05A 3rd and 4th design TCC control plunger valve has a larger diameter (.282") than the valve in this kit. Installing **63741-05K** into a 3rd or 4th design application will cause excessive apply pressure, resulting in driveability concerns related to a lack of power and harsh converter apply. Do not install this kit into the TCC control bore of a 3rd or 4th design casting! For 3rd and 4th design castings, use **63741-25K**.

RE5R05A DESIGN ID: The 1st and 2nd design valve bodies have two smaller accumulator bores. The 3rd and 4th designs have one large accumulator bore (**Figure 4**).

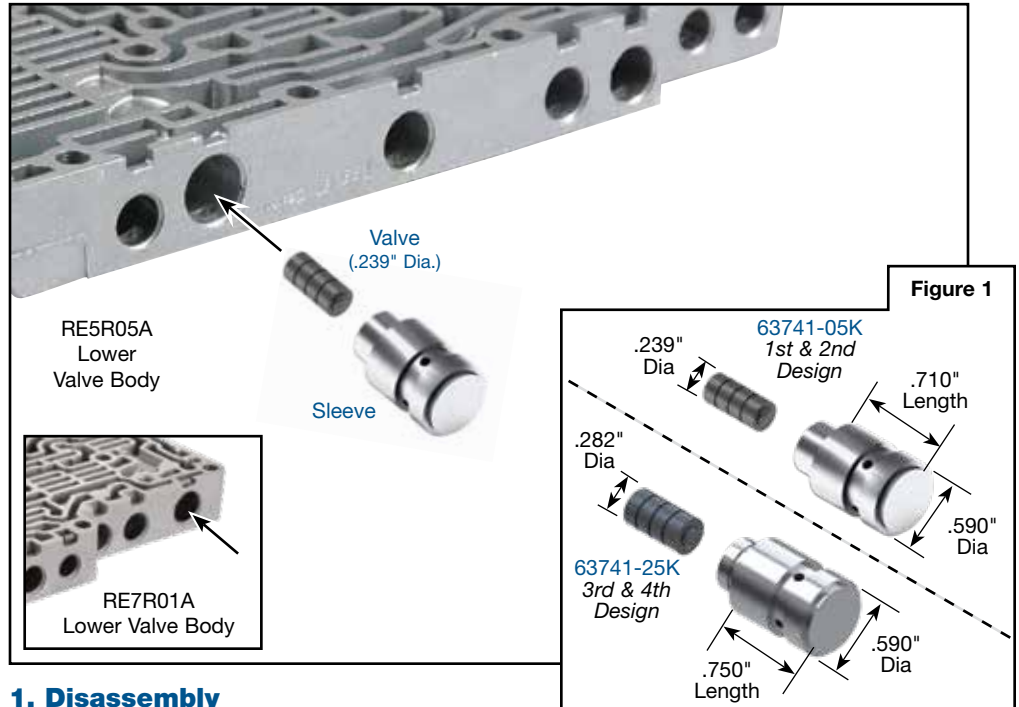


Figure 1

1. Disassembly

- Remove OE retainer and set aside for reuse.
- Remove and discard OE sleeve and plunger valve assembly.

2. Installation & Assembly

- Install Sonnax valve/sleeve assembly into bore, open end of sleeve facing inboard.
- Ensure OE spring seats over small diameter of Sonnax sleeve.
- Reinstall OE retainer.

3. Final Testing

Vacuum testing at the port(s) indicated holds the recommended minimum 18in-Hg (**Figures 2 & 3**).

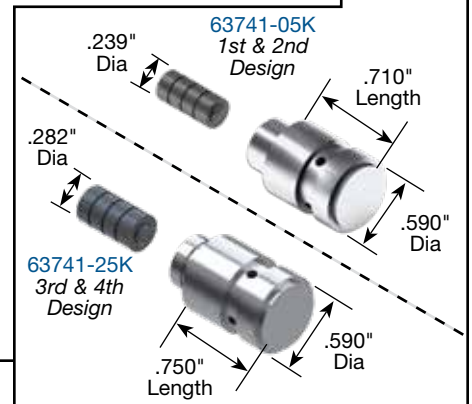


Figure 2

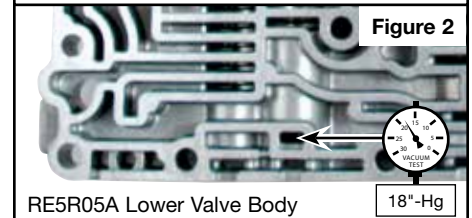
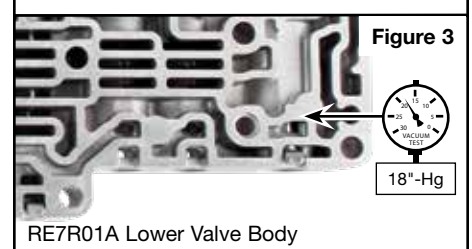


Figure 3



RE5R05A Design Identification

Figure 4

