

Oversized Lockup Control Valve Kit

Part No.
147741-16K

- Lockup Control Valve
- Plunger Valve
- Plunger Sleeve



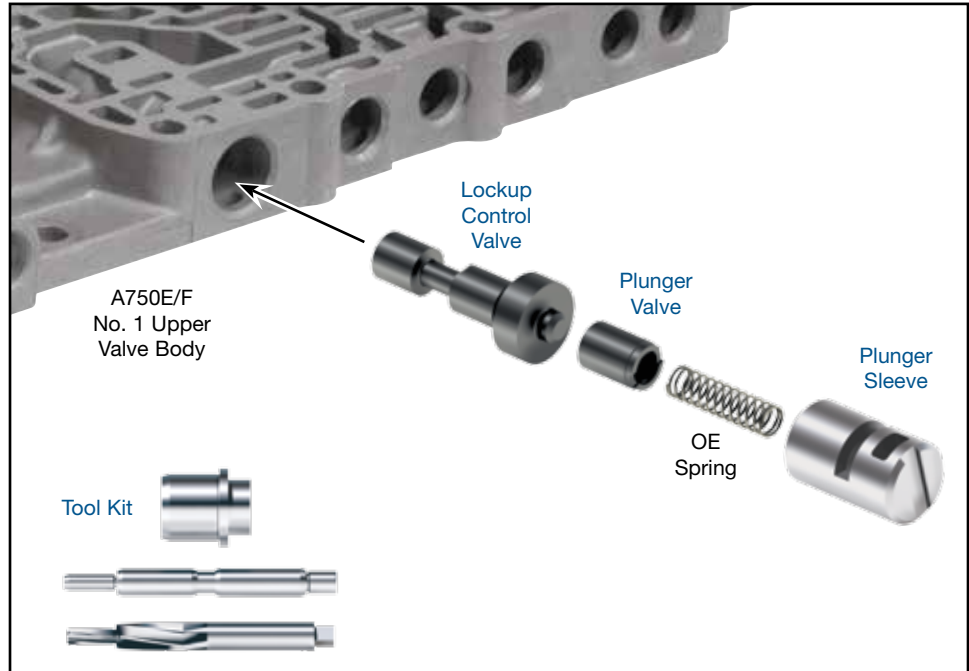
Tool Kit

Part No.
F-147741-TL16

- Reamer
- Reamer Jig
- Guide Pin



Toyota/Lexus A750E, A750F, A761E, A960E, A960F



NOTE: Sonnax “F-Tool” kits designed to service a specific bore require the VB-FIX, a self-aligning valve body reaming fixture. More information and instructions can be found online at www.sonnax.com.

1. Disassembly

- Remove OE valve train: retainer, plunger sleeve, plunger valve, spring and lockup control valve.
- Keep OE retainer and spring for reuse, all other components can be discarded.

2. Bore Reaming

Ream lockup control bore (for reaming instructions/reamer care, please visit www.sonnax.com). Sonnax reaming tool kit F-147741-TL16 and VB-FIX are required for this operation.

3. Installation & Assembly

- Install Sonnax lockup control valve.
- Install Sonnax plunger valve, OE spring and Sonnax plunger sleeve (**main photo**).
- Reinstall OE retainer.

4. Final Testing

Vacuum testing at the port(s) indicated holds the recommended minimum 14 and 18 in-Hg.

