

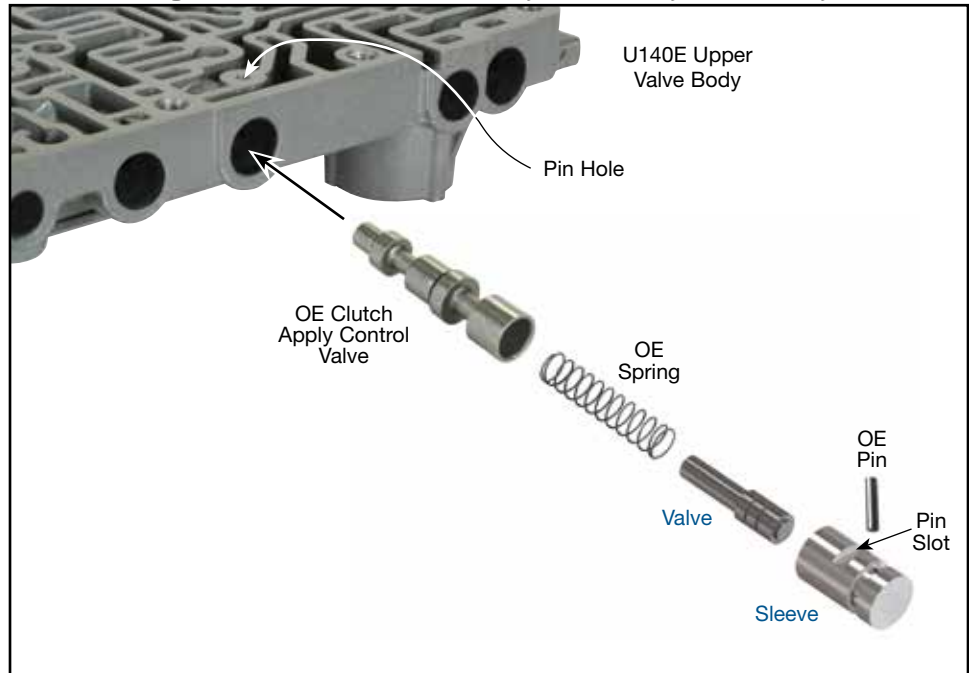
Clutch Apply Control Plunger Valve Kit

Part No.

57917E-05K

- Valve
- Sleeve

Toyota/Lexus U140E, U140F, U240E, U241E



1. Disassembly

- Remove and discard OE sleeve and valve
- Retain OE retainer pin for reuse.

2. Installation & Assembly

- Install Sonnax sleeve and valve assembly as shown.
- Rotate sleeve until pin slot lines up with the pin hole and insert pin.

