

Oversized Solenoid Regulator Valve

Part No.
119940-06K



Tool Kit

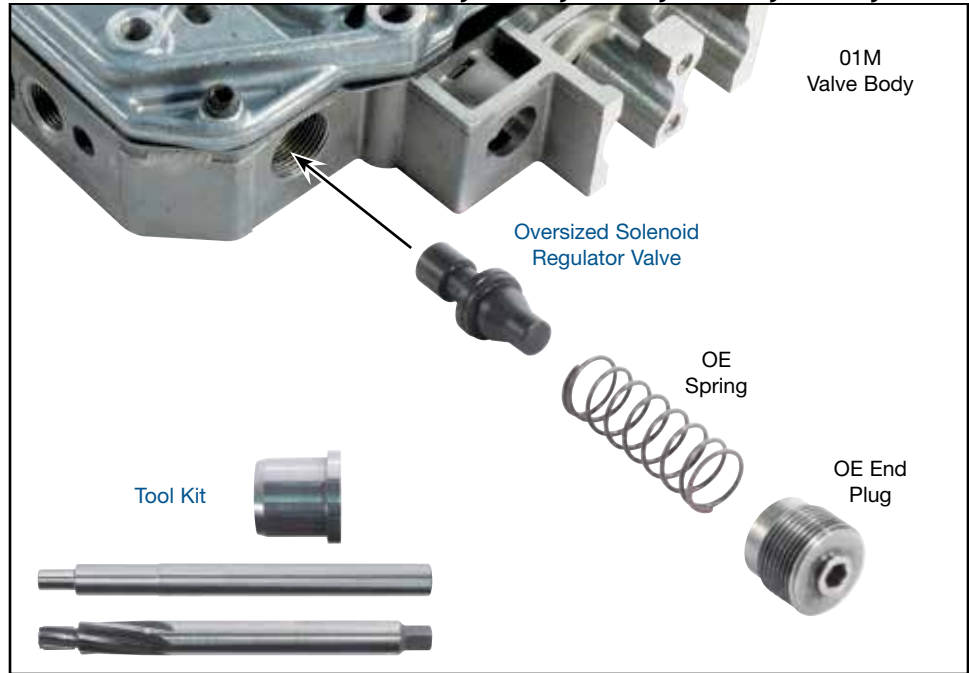
Part No.
F-119940-TL6



- Reamer
- Reamer Jig
- Guide Pin

NOTE: Sonnax “F-Tool” kits designed to service a specific bore require the VB-FIX, a self-aligning valve body reaming fixture. More information and instructions can be found online at www.sonnax.com.

VW/Audi 096, 097, 098, 01M, 01N, 01P



1. Disassembly

- Remove all components from solenoid regulator bore.
- Save OE spring and end plug for reuse.
- Discard OE valve.

2. Bore Reaming

Ream solenoid regulator bore (for reaming instructions/reamer care, please visit www.sonnax.com). Sonnax reaming tool kit **F-119940-TL6** and **VB-FIX** are required for this operation.

3. Installation & Assembly

- Be certain all debris has been removed from the valve bore and valve body.
- Install Sonnax valve.
- Reinstall OE spring and end plug.

4. Final Testing

Vacuum testing at the port(s) indicated holds the recommended minimum 18 in-Hg.

