

## Oversized Primary Pressure Regulator Valve Kit



Part No.

**113741-09K**

- Valve
- Spring
- End Plug

**NOTE:** Also fits Mitsubishi F1CJA.

## Tool Kit



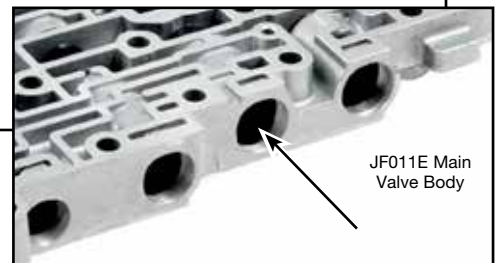
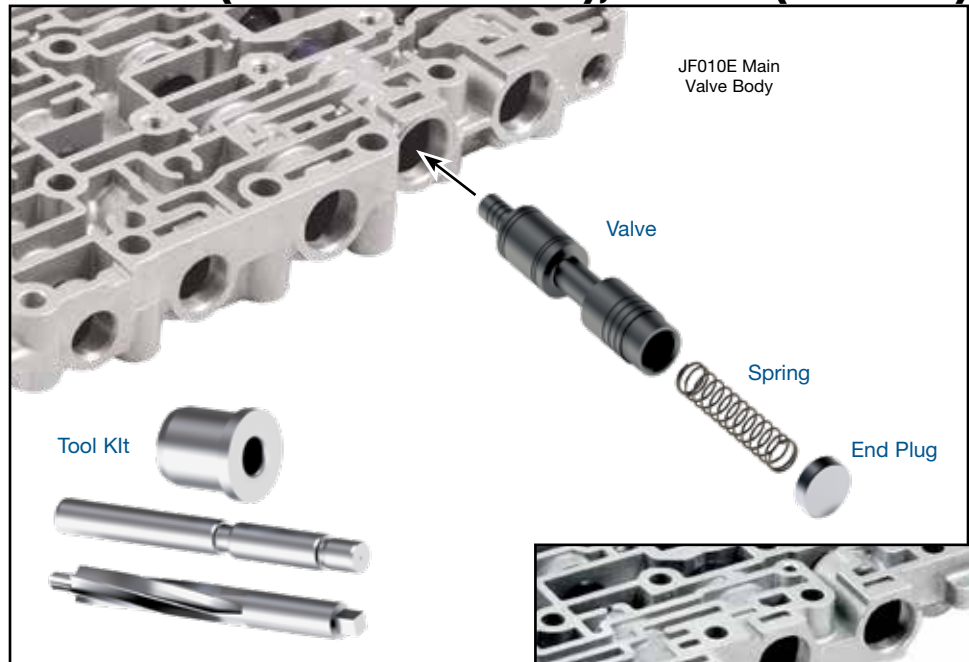
Part No.

**F-113741-TL9**

- Reamer
- Reamer Jig
- Guide Pin

**NOTE:** Sonnax "F-Tool" kits designed to service a specific bore require the VB-FIX, a self-aligning valve body reaming fixture. More information and instructions can be found online at [www.sonnax.com](http://www.sonnax.com).

## Jatco/Nissan JF010E (REOF09A/REOF09B), JF011E (REOF10A)



### 1. Disassembly

- Remove and discard OE valve, spring and end plug.
- Set aside OE retainer for reuse.

### 2. Bore Reaming

Ream primary pressure regulator bore (for reaming instructions/reamer care, please visit [www.sonnax.com](http://www.sonnax.com)). Sonnax reaming tool kit F-113741-TL9 and VB-FIX are required for this operation.

### 3. Installation & Assembly

- Remove all debris from valve bore and body.
- Install Sonnax valve.
- Install Sonnax spring.
- Install Sonnax end plug, with the boss end of plug inboard. Ensure spring seats over end plug boss.
- Reinstall OE retaining clip.

### 4. Final Testing

Vacuum testing at the port(s) indicated holds the recommended minimum 18 in-Hg (Figures 1 & 2).

