

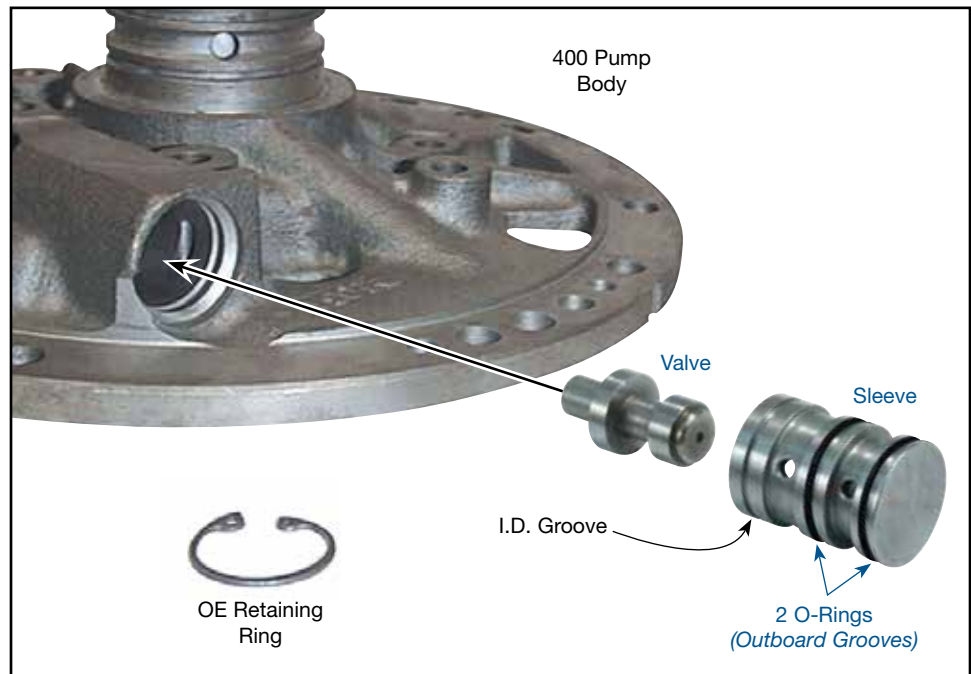
GM 400, 425

Boost Valve Kit

Part No.

34910-01K

- Valve
- Sleeve
- O-Rings (2)



1. Disassembly

- Remove and discard OE boost sleeve and valve.
- Save OE retaining ring for reuse.

2. Installation & Assembly

- Lubricate all pieces of Sonnax kit.
- Place Sonnax O-rings into outboard grooves of Sonnax sleeve (**main photo**).
- Insert Sonnax valve into Sonnax sleeve with the long stem facing out.
- Carefully push Sonnax sleeve assembly (open end first) into the pump body only deep enough to reinstall the OE retaining ring.
- Reinstall OE retaining ring on the pump body.